



Operational Notice

No.7 OF 2019

Operation of Hoppers HG1, HG2, HST3, HST4 and HG5 at Stormont and Gotto Wharf

This Operational Notice replaces Operational Notice No 4 of 2018.

The maximum volume to be loaded into these hoppers is **70 cubic metres**.

The peak height of any commodity **MUST NOT** exceed the fill line which is identified by the grid in the throat of the hopper and the base of the vertical screening when the grid is removed (see attached drawing).

Commodities with a bulk density greater than 1 tonne per cubic metre shall only be handled subject to prior agreement with Port Operations following submission by the Stevedore of a risk assessment identifying additional controls to prevent overflowing of the hopper. The risk assessment must be submitted to Port Operations at least 24 hours prior to commencement of discharge.

Commodities with a bulk density greater than 1.5 tonne per cubic metre **CANNOT** be processed through this Hopper.

The Hopper shall only be moved when empty and then only using a rail mounted crane or recognised forklift attachment.

The use of a crane or grab to wash out these Hoppers is strictly prohibited.

Washing out of the hoppers shall only be performed using freshwater in accordance with a recognised and approved Method Statement.

Any contact between the crane and/or the grab and Hoppers shall be notified **IMMEDIATELY** to Port Operations.

If the Stevedore becomes aware of any damage or any other issue that may impair the integrity of the Hopper, work shall cease **IMMEDIATELY** and Port Operations must be informed.

All other defects shall be reported within 24 hours. Breakdowns should continue to be reported to Port Operations (Tel: 028 90553504) between Mon – Fri 0800 – 1700 and to Belfast Harbour Police (Tel: 028 90553000) at all other times.

Enforcement

All personnel working with these hoppers (including supervisors, crane drivers, hopper operators, banksmen and cleaners) **MUST** comply at all times with the requirements of this Operational Notice.

Any Personnel found to be in breach of the requirements of this Operational Notice depending on the seriousness of the breach and whether, or not, the individual has received a previous warning, will be subject to the following enforcement action, which will be issued to the Stevedoring Company/Employer:

- A recorded verbal warning notified to the Stevedoring Company/Employer;
- A written warning to Stevedoring Company/Employer regarding the individual and advising that a further breach will result in prohibition (either 1 month or permanent dependent on the case);
- A prohibition from using the relevant equipment for 1 month and evidence of re-training;
- Permanent prohibition from using the relevant equipment.

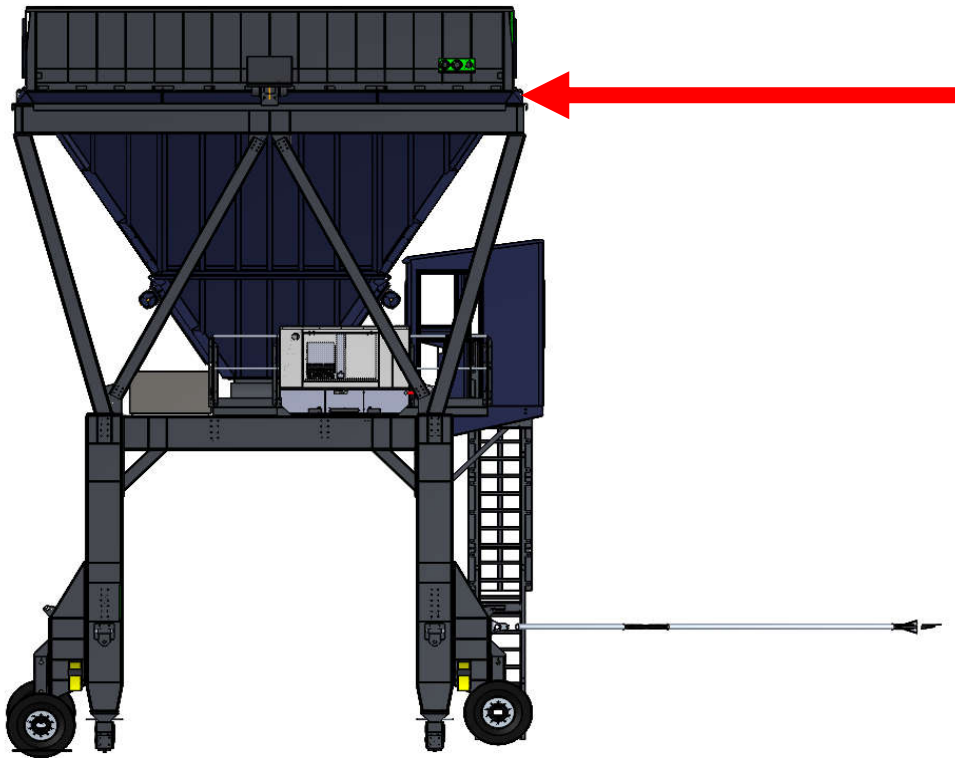
In each instance, notification of the breach in requirements will be communicated to the appropriate supervisor/ employer.



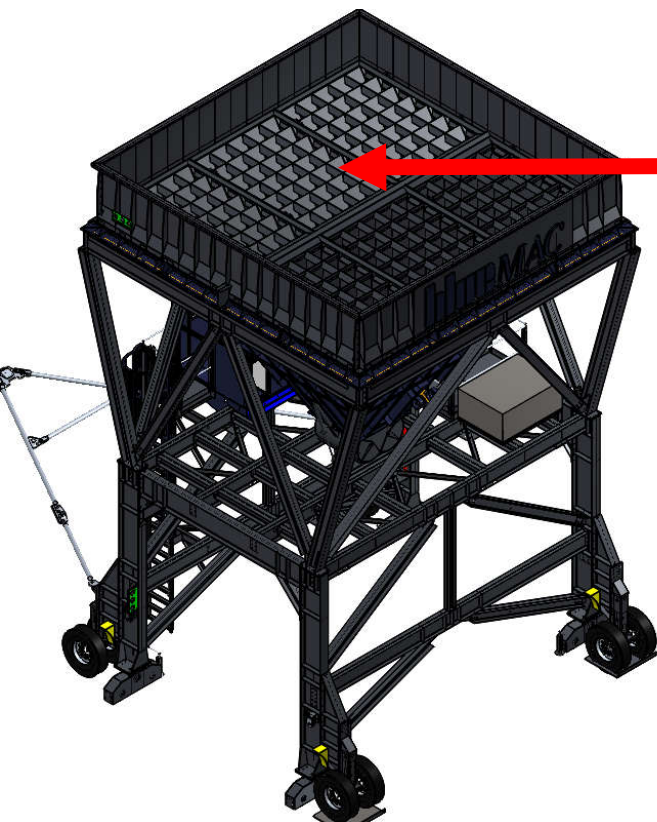
PORT CONTROL
BELFAST
3rd October 2019

CAPTAIN K G Allen
HARBOUR MASTER

Hoppers HG1, HG2, HST3, HST4 and HG5 – Fill line



Fill line not to exceed base of vertical dust screening



Fill line not to exceed internal flexi grid.